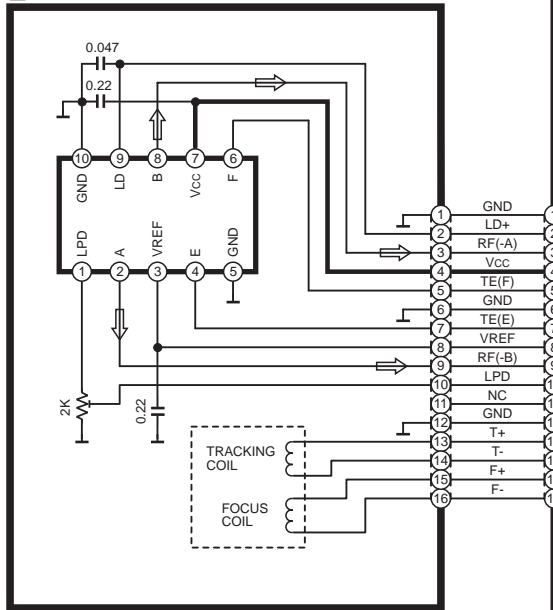
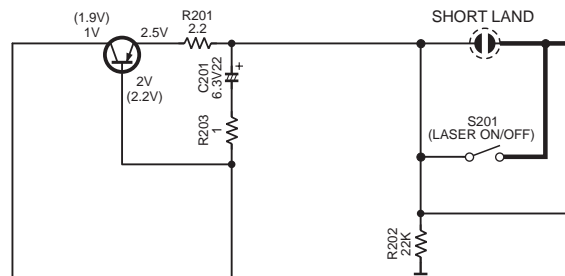


→ : POSITIVE VOLTAGE LINE    ⇨ : CD PLAYBACK SIGNAL LINE

### OPTICAL PICKUP



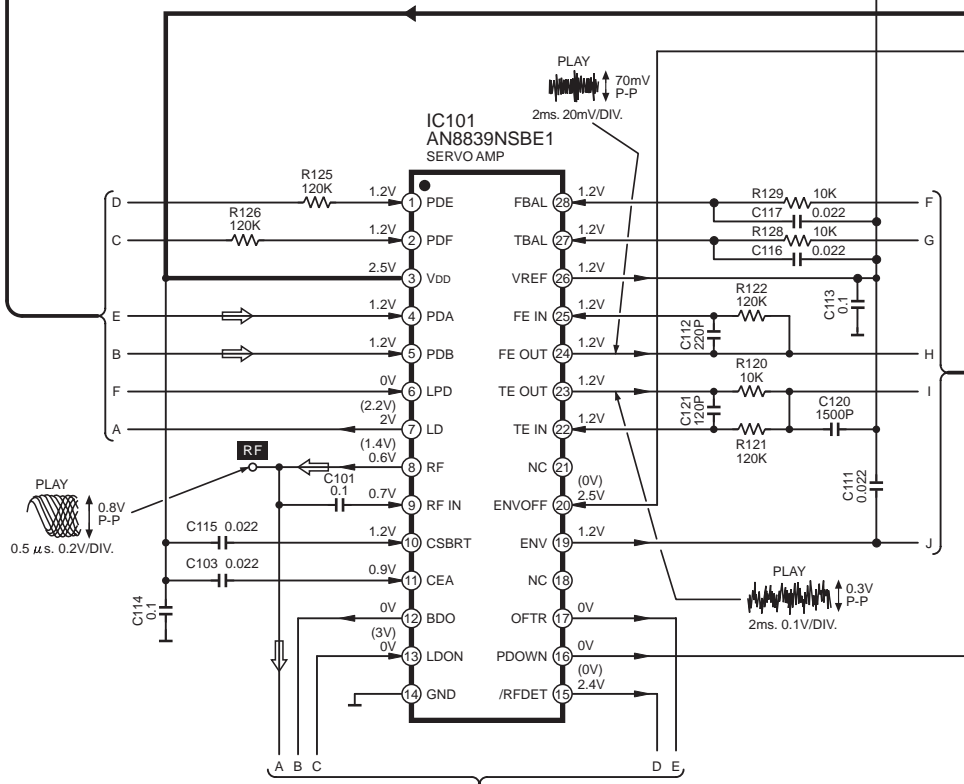
### Q201 2SB709ATX LASER POWER DRIVE

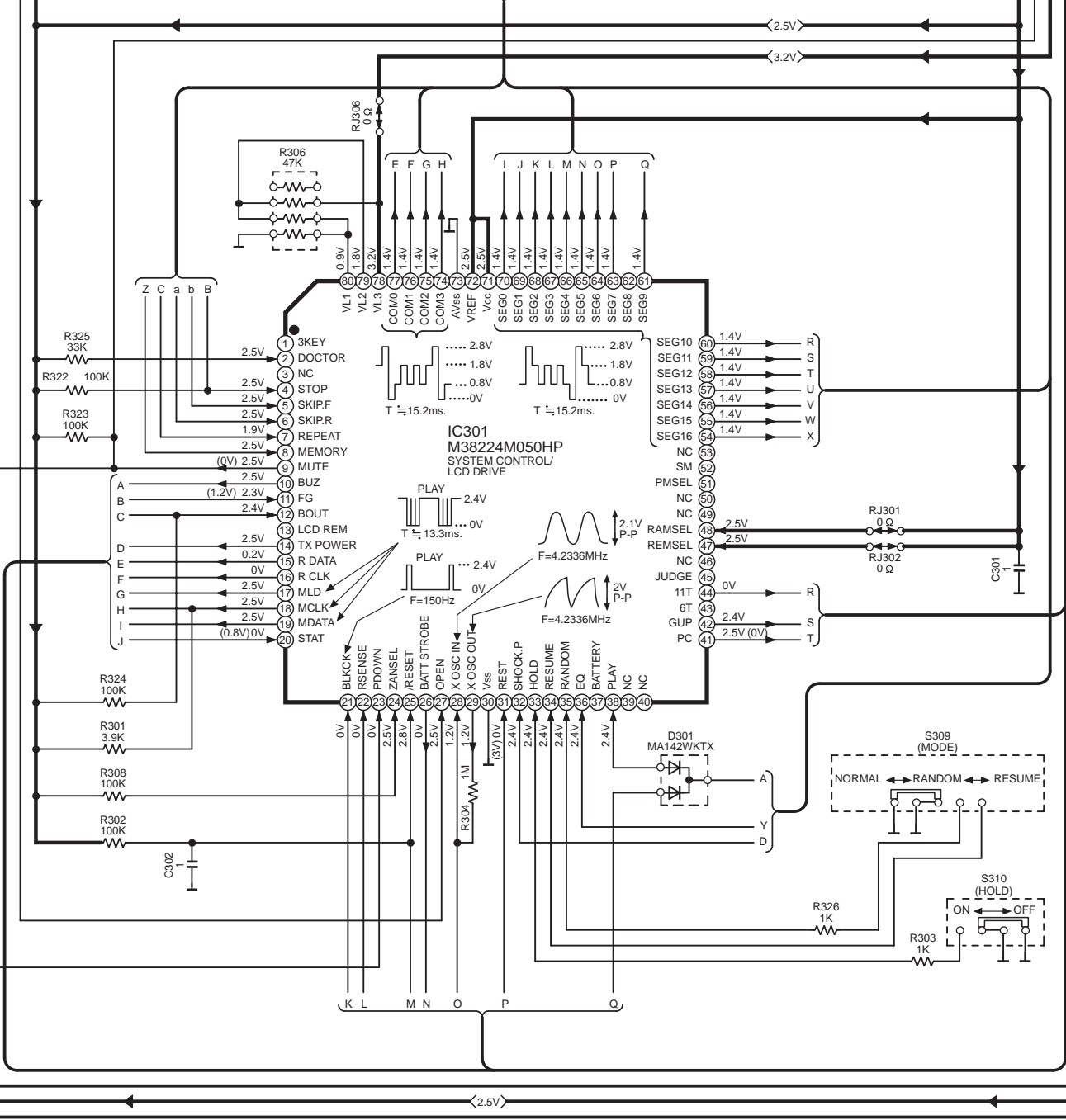
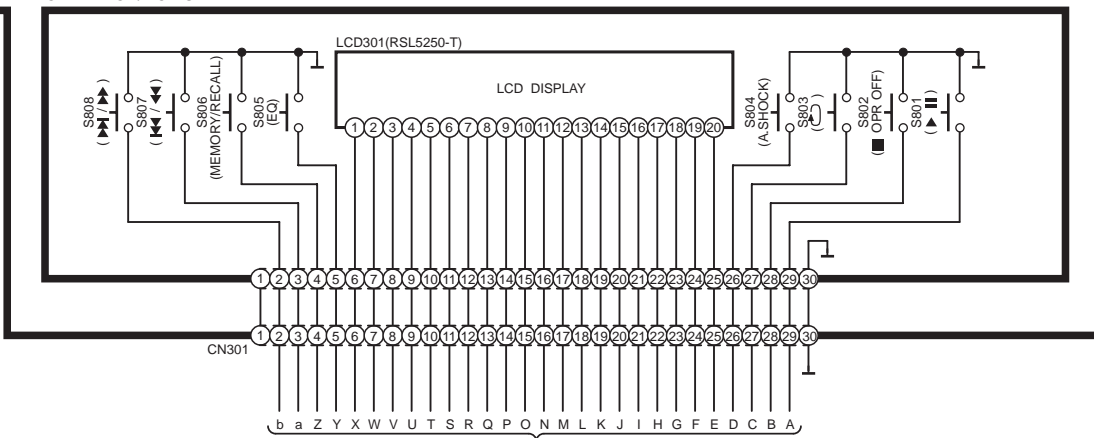


### SHORT LAND

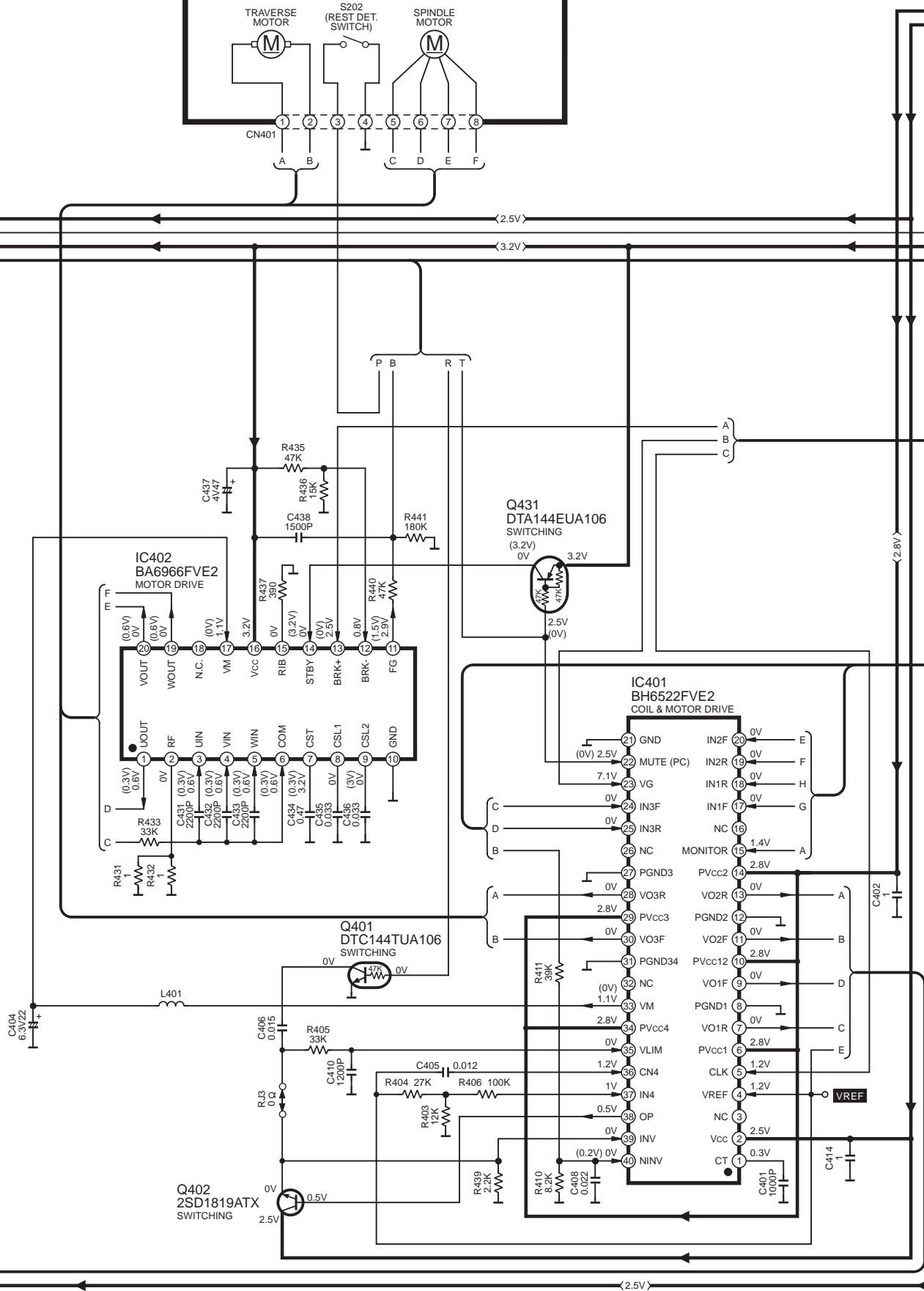


### IC101 AN8839NSBE1 SERVO AMP

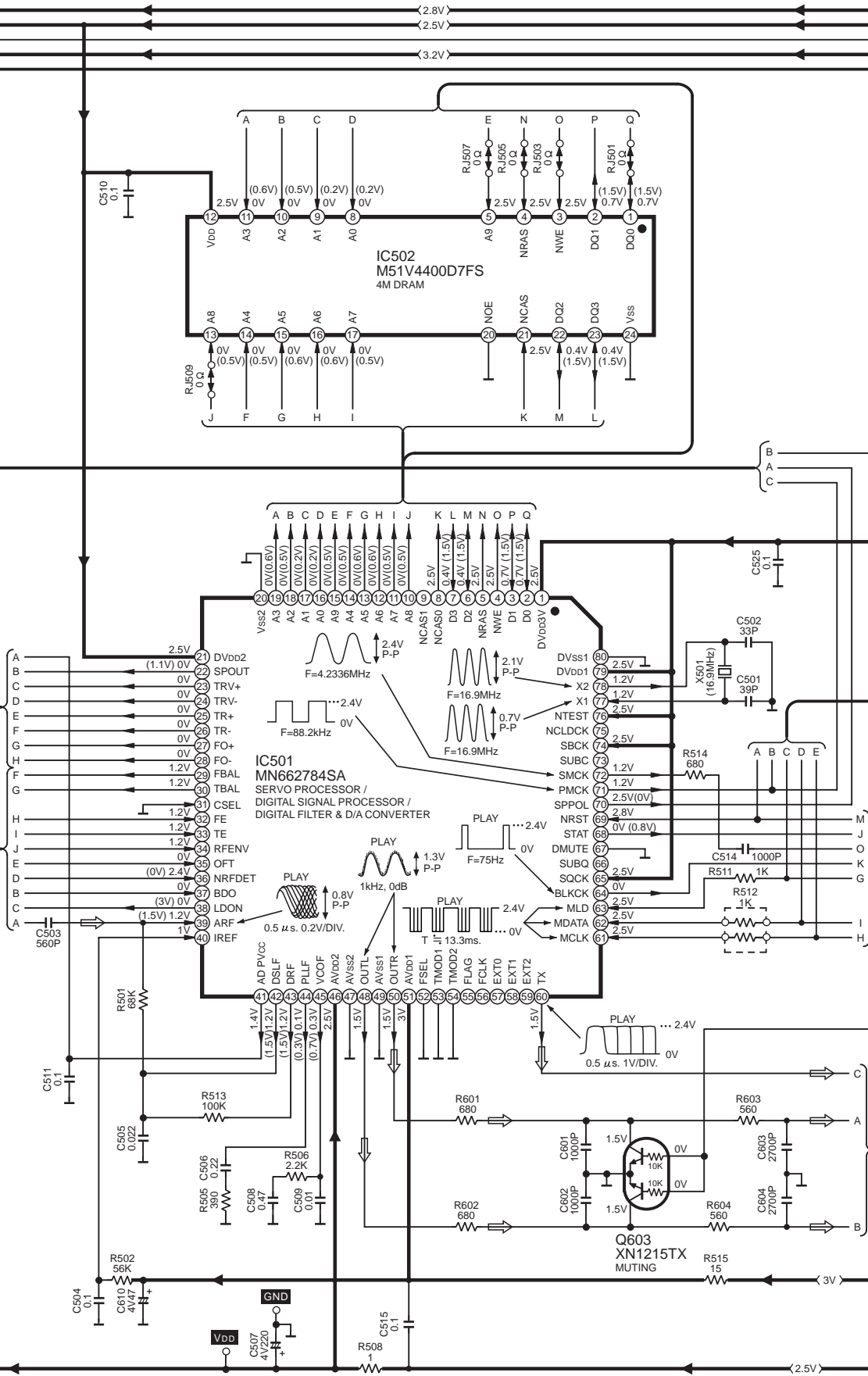




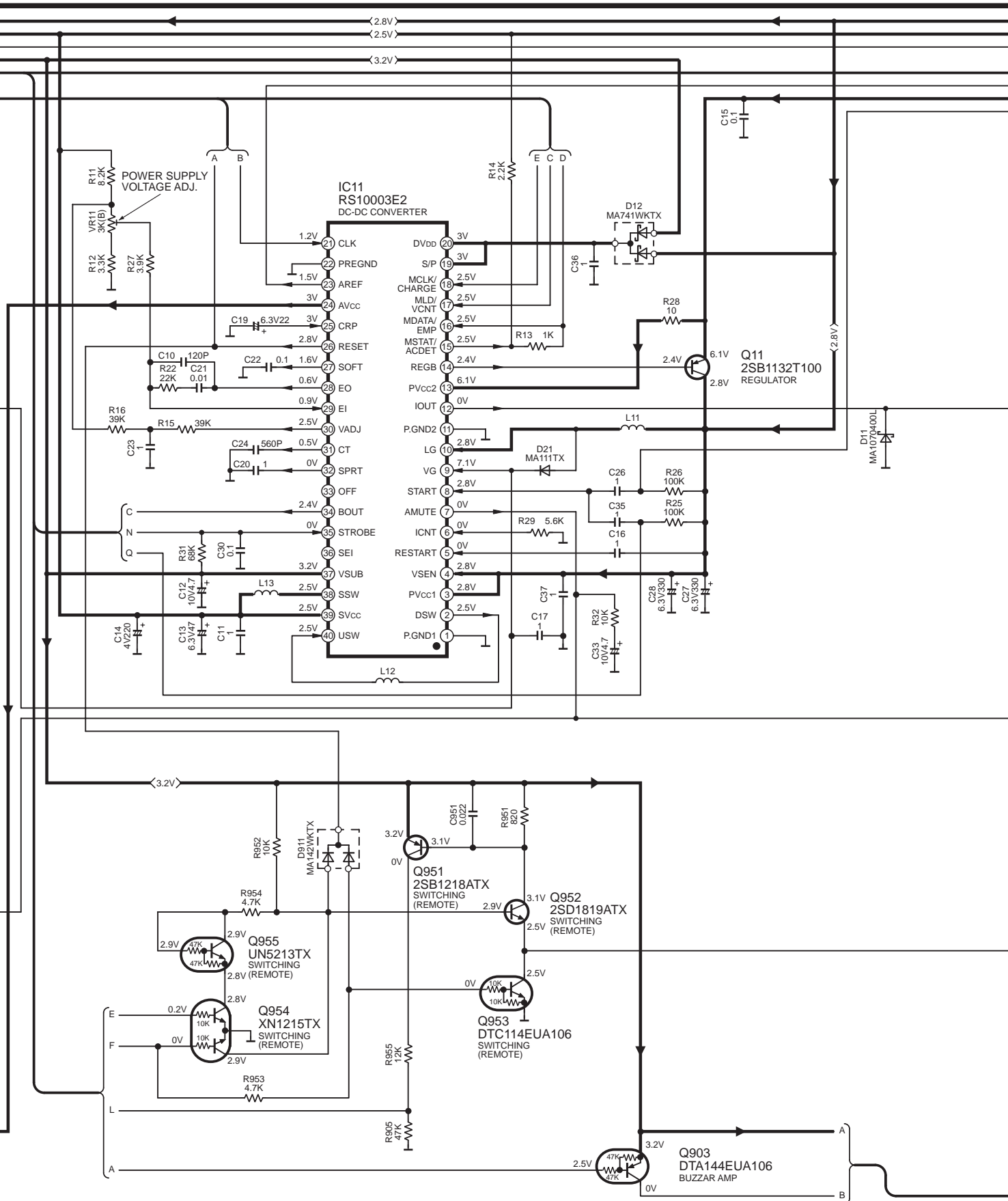
→ : POSITIVE VOLTAGE LINE



➔ : POSITIVE VOLTAGE LINE   ➡ : CD PLAYBACK SIGNAL LINE



➔ : POSITIVE VOLTAGE LINE ➡ : CD PLAYBACK SIGNAL LINE



→ : POSITIVE VOLTAGE LINE    ⇨ : CD PLAYBACK SIGNAL LINE

